

EXtract 821M plastics, extended immersion



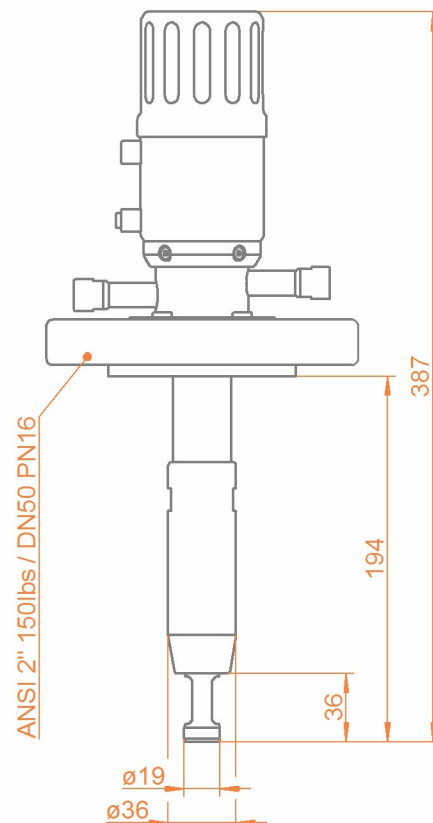
- » Robust design, integrated scraper
- » Automatic locking system with indicators for measurement- and service position
- » Automatic safety lock while sensor is removed
- » Safe handling under higher process pressure due to unique rotary drive
- » PVDF or PEEK
- » High stability protection cage in Alloy for option PVDF
- » Usable in ATEX-areas

EXtract 821M is a manually operated retractable probe housing made of plastics for installation of Ø12-325mm sensors on tanks or pipelines with an extended immersion length up to 194mm with unique rotary drive.

Specifications

Process pressure	0...10bar
Process temperature	-10... 140°C
Ambient temperature	-10...70°C
Immersion length	up to 194mm
Sensors	Ø12-325mm PG 13.5
Materials	PVDF / Alloy C22, PEEK
Sealings	EPDM, FPM (Viton), FFKM (Kalrez)
Process connection	Flange DN50 PN16 / ANSI 2" 150lbs
Cleaning ports	G1/8", G1/4", FNPT 1/4"
Operating power	manual
Limit switches	optional electrical NAMUR switches

Dimensions



EXtract 821M plastics, extended immersion

Ordercode

Code	Material (wetted parts)	Delivery
PVDF	PVDF	2 weeks
PEEK	PEEK	2 weeks

Code	Sealing material (wetted sealings)	Delivery
EPD	EPDM/FDA/USP VI	2 weeks
FPM	FPM (Viton)	2 weeks
FKM	FFKM (Kalrez)	3 weeks

Code	Sensor type	Delivery
325	325mm PG 13,5 gel-filled	2 weeks
380	380mm PG 13,5 liquid filled	2 weeks

Code	Process connection	Delivery
D50	Flange DN50 PN16	2 weeks
A20	Flange ANSI 2" 150lbs	2 weeks

Code	Cleaning connection	Delivery
G18	G 1/8" female thread	2 weeks
G14	G 1/4" female thread	2 weeks
N14	1/4" NPT female thread	2 weeks

Code	Position switch	Delivery
00	without	2 weeks