

EXtract 821 plastics, extended immersion



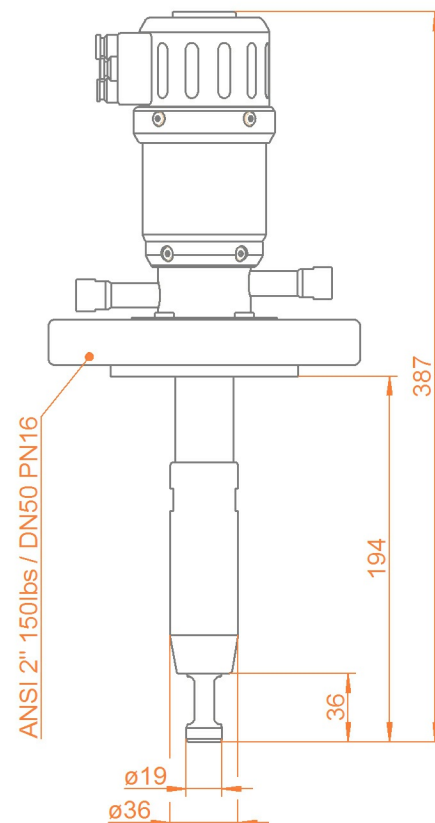
- » Robust design, integrated scraper
- » Extension of sensor-lifetime and reducing of maintenance efforts
- » Automatic safety lock while sensor is removed
- » Plug and play installation, colour- and size-coded connection system
- » Integrated limit switches
- » Usable in ATEX-areas
- » PVDF, PEEK

EXtract 821 is a pneumatically operated retractable probe housing made of plastics for installation of Ø12-325mm sensors on tanks or pipelines with an extended immersion length up to 194mm.

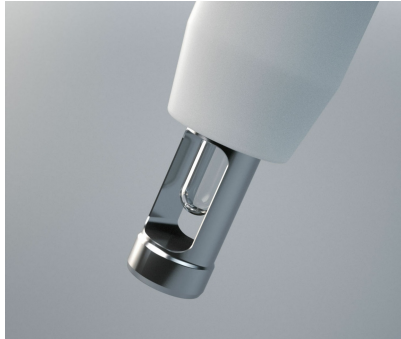
Specifications

Process pressure	0...10bar
Process temperature	-10... 140°C
Ambient temperature	-10...70°C
Immersion length	up to 194mm
Sensors	Ø12-325mm PG 13.5
Materials	PVDF / Alloy C22, PEEK
Sealings	EPDM, FPM (Viton), FFKM (Kalrez)
Process connection	Flange DN50 PN16 / ANSI 2" 150lbs
Cleaning ports	G1/8", G1/4", FNPT 1/4"
Operating power	compressed air 4..6 bar
Limit switches	pneumatic, integrated

Dimensions



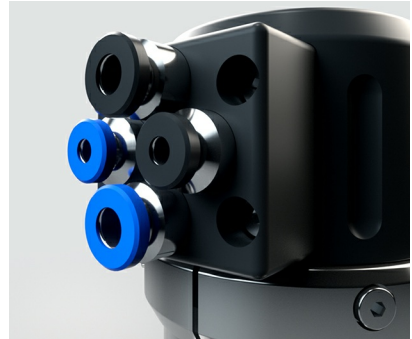
EXtract 821 plastics, extended immersion



Protective cage with sensor in measuring position



Usable for industrial applications



Connection board EXtract

Ordercode

Code	Material (wetted parts)	Delivery
PVDF	PVDF	2 weeks
PEEK	PEEK	2 weeks

Code	Sealing material (wetted sealings)	Delivery
EPD	EPDM/FDA/USP VI	2 weeks
FPM	FPM (Viton)	2 weeks
FKM	FFKM (Kalrez)	3 weeks

Code	Sensor type	Delivery
325	325mm PG 13,5 gel-filled	2 weeks
380	380mm PG 13,5 liquid filled	2 weeks

Code	Process connection	Delivery
D50	Flange DN50 PN16	2 weeks
A20	Flange ANSI 2" 150lbs	2 weeks

Code	Cleaning connection	Delivery
G18	G 1/8" female thread	2 weeks
G14	G 1/4" female thread	2 weeks
N14	1/4" NPT female thread	2 weeks

Code	Position switch	Delivery
PN	pneumatic	2 weeks