

EXcap 120 Set of backscattering reference normals



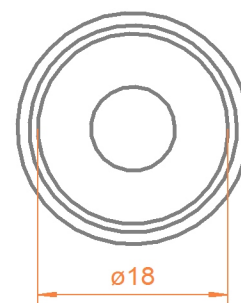
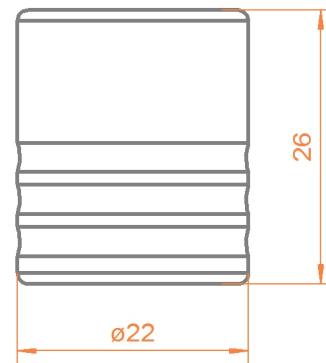
- » No fluids for calibration or verification necessary
- » Very easy handling
- » Available for different measuring ranges
- » Individually selectable normals
- » Suitable for backscatter principle in high measuring ranges
- » Reference normals are traceable according to NIST standard
- » Factory verification with certificate possible

EXcap 120 is a set of reference normals for verification and adjustment of the backscattering sensor EXspect 271. This set can be equipped with up to three individually selectable single normals to verify sensors in their ideal measuring range

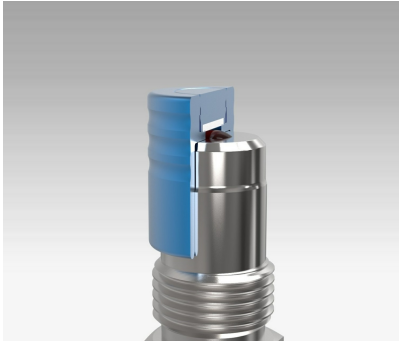
Specifications

Box dimensions	120x116x40 mm
Box material	PP dark blue
Quantity normals	3 pieces
Dimensions	22x26 mm
Material	AlMgSi anodized
Backscatter values	10 %, 20 %, 50 %, 90 %
Accuracy	± 1 % from upper measuring range value of sensor
Certificate	inclusive

Dimensions



EXcap 120 Set of backscattering reference normals



Sectional view EXcap 120



EXspect 271 with reference normal EXcap 120

Ordercode

Code	Reference normal 1	Delivery
10	10 % backscattering	2 weeks
20	20 % backscattering	2 weeks
50	50 % backscattering	2 weeks
90	90 % backscattering	2 weeks

Code	Reference normal 2	Delivery
00	without a second reference normal	2 weeks
20	20 % backscattering	2 weeks
50	50 % backscattering	2 weeks
90	90 % backscattering	2 weeks

Code	Reference normal 3	Delivery
00	without a third reference normal	2 weeks
50	50 % backscattering	2 weeks
90	90 % backscattering	2 weeks