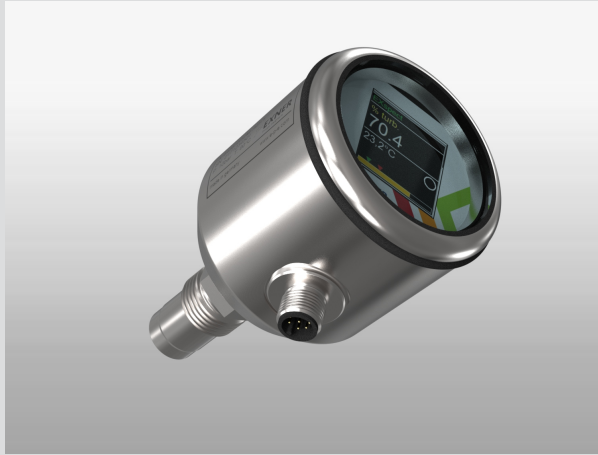


EXspect 271 NIR backscattering sensor in compact design



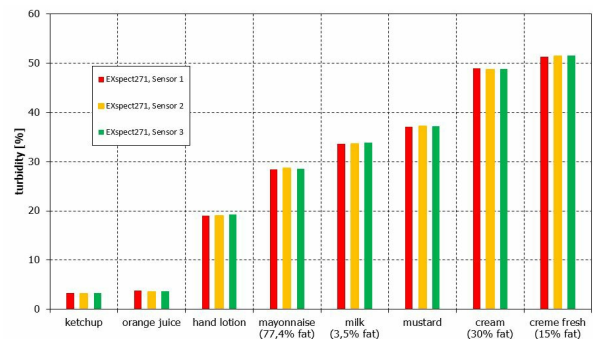
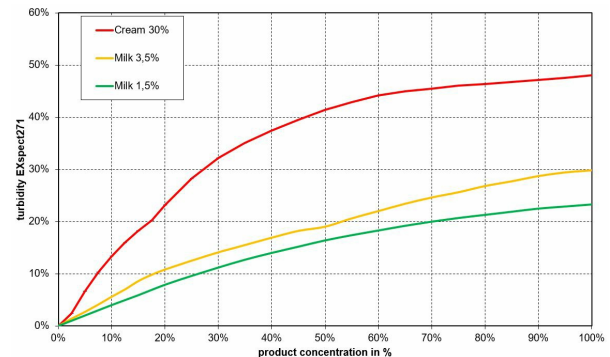
- » Compact design with integrated amplifier and touch display
- » %-turbidity or customer defined unit
- » Durable sapphire lens
- » Hygienic Design, CIP/SIP-capable
- » LED light source guarantees a durable and stable signal
- » Easy parameterization via display or software EXpert

EXspect 271 is a high precisely compact NIR turbidity sensor monitoring production processes in the food industry, e.g. in dairies, as well as in many ranges of process and chemical applications and waste water.

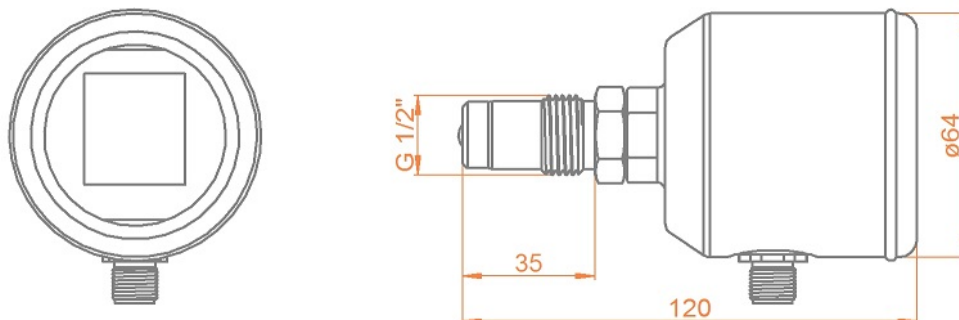
Specifications

| | |
|-----------------------|--|
| Measuring range max. | 0-100 % |
| Resolution | 0,1 % |
| Accuracy | ± 1,5 % from measurement value |
| Reproducibility | ≤ 1 % from final value |
| Wavelength | 850 nm |
| Light source | LED |
| Material | Stainless steel 1.4435 (316L) |
| Surface | e-polished Ra <0,37 µm |
| Lens | Sapphire |
| Supply voltage | 24 V DC |
| Contact | NO or NC configurable 150 mA |
| Input contact | zeroing |
| Process connection | Thread G1/2" |
| Process temperature | -10... 90 °C, 141 °C max. 2 hours (SIP cycle) |
| Process pressure | -1... 20 bar |
| Electrical connection | M12 connector 5-pin or 8-pin (digital parameterizable) |
| Cable length | 2 m / 5 m |
| Interfaces | 4 ... 20 mA with add. switching contact |
| Parameterization | Software EXpert |
| Protection class | IP69 |

Typical Measurements



EXspect 271 NIR backscattering sensor in compact design



Ordercode

| Code | Measuring range | Delivery |
|------|--------------------|----------|
| A | 0...100% turbidity | 3 weeks |

| Code | Material (wetted parts) | Delivery |
|------|-------------------------------|----------|
| 4435 | Stainless steel 1.4435 / 316L | 3 weeks |

| Code | Sealing material (wetted sealings) | Delivery |
|------|------------------------------------|----------|
| MET | Metal sealing (without elastomer) | 3 weeks |

| Code | Process connection | Delivery |
|------|--------------------|----------|
| G12 | Thread G1/2" | 3 weeks |

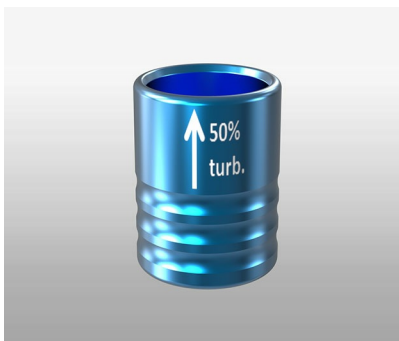
| Code | Interface | Delivery |
|------|--|----------|
| AS | Analogue 4...20 mA / M12 5 pin | 3 weeks |
| AD | Analogue 4...20 mA / digitally parameterizable / M12 8 pin | 3 weeks |

| Code | Display | Delivery |
|------|-------------------------|----------|
| 1 | With integrated display | 3 weeks |

Accessories



Weld-in socket and process adapter



EXcap 120 - Set of reference normals for in-field verification of measurements and calibration